



DORIANA HORIZONTAL



EUROPEAN WARRANTY

MATERIAL:

- Vertical collectors in painted mild steel, semiovali 30x40 mm.
- Horizontal heating elements in painted mild steel ø 25 mm.

FIXING KIT:

Brackets, airvent, hexagonal tool, plugs and screws for mounting suitable for use on compact or hollow brick, user notice.
The kit is certified from TÜV in compliance with VDI 6036 - class 4.

PACKAGING:

Carton angular and profiles protected by a recyclable film in polyethylene. User notice included.

PAINTING PROCESS:

Painted with ecological epoxy powders (Certificate DIN 55900-1,-2).

COLOURS:

See colour chart.

ACCESSORIES:

For the complete list, please refer to the accessories chapter.

Width L [mm]	500	600	700	800	900	1000	1200	1400	1500
Dry Weight per section [kg]	0,352	0,411	0,470	0,529	0,588	0,647	0,765	0,883	0,942
Element water content [lt]	0,241	0,282	0,323	0,364	0,405	0,446	0,528	0,610	0,651
Element surface [m²]	0,042	0,050	0,058	0,066	0,074	0,082	0,098	0,114	0,122
Pipe centres l [mm] (H1 only)	450	550	650	750	850	950	1150	1350	1450

For output at different ΔT, please refer to the following formula: $\text{desired output} = \text{output at } \Delta T 50 \times (\text{desired } \Delta T / 50)^n$

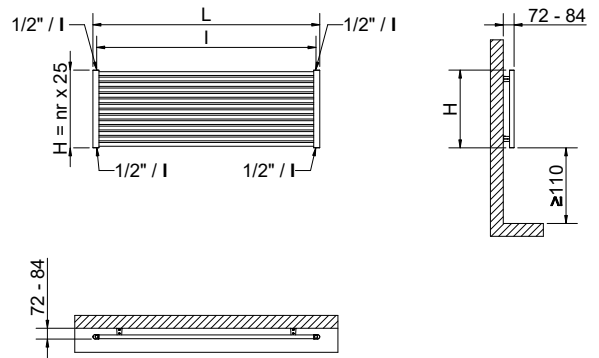
Width L [mm]	1600	1800	2000	2200	2300	2500
Dry Weight per section [kg]	1,001	1,119	1,237	1,355	1,414	1,532
Element water content [lt]	0,692	0,774	0,856	0,938	0,979	1,061
Element surface [m²]	0,130	0,146	0,162	0,178	0,186	0,202
Pipe centres l [mm] (H1 only)	1550	1750	1950	2150	2250	2450

P. Max: 8 bar

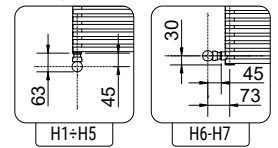
T. Max: 110° C

Functioning: hot water

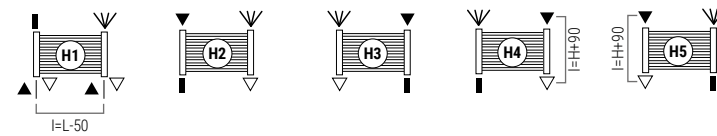
Connections: n° 2 x 1/2" G - 1 x 1/2" G



Quotes for Kristal valves

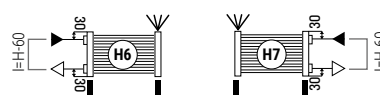


STANDARD CONNECTIONS WITHOUT SURCHARGE



LEGENDA: ► In ▷ Out ◀ airvent H Height l pipe centres L width □ connection ■ welded cap

SPECIAL CONNECTIONS



Always specify the kind of connection needed when ordering.
Bidirectional pipe connection not available

HOW TO ORDER THE RADIATOR DORIANA HORIZONTAL

ARTICLE NR. STRUCTURE	Radiator model	Nr of Elements	Width in cm	Code of the connection	Code of the colour	Constant value
AAAA	BB	CCC	DDD	EEE	A	

EXAMPLE	Radiator model E.g.: Doriana horizontal	Nr of Elements E.g.: 18 elements	Width in cm Example: 1200 mm	Code of the connection Example: connection H4	Code of the colour Example: S16 - Canary	Constant value
D025	18	120	H04	S16	A	

EXAMPLE OF ARTICLE CODE CREATION

In the case of a radiator:
D025 DORIANA HORIZONTAL
18 18 elements
120 width 1200 mm
H04 connection H4
S16 colour S16 - Canary
A (Constant value)
 The article code will be:
D025 18 120 H04 S16 A

ACCESSORIES

If ordered separately from the radiator, the accessories are available in standard white only

Kristal valve square with thermostatic option white R01

Copper conn. Ø 12/14/15
Art. nr. 5991990311161

Multilayer conn. Ø 16
Art. nr. 5991990311160

Kristal valve corner right with thermostatic option white R01

Copper conn. Ø 12/14/15
Art. nr. 5991990311176

Multilayer conn. Ø 16
Art. nr. 5991990311175

Thermostatic head white

(Kit 2 pieces)
Art. nr. 5035270710016

Art. nr. are referred to colour WHITE R01



DORIANA HORIZONTAL

Width L [mm]		500	600	700	800	900	1000	1200	1400	1500	OUTPUT PER LINEAR METER		Exp. n
Height H [mm]	N° El.	Watt $\Delta t=50^{\circ}\text{C}$	Watt $\Delta t=50^{\circ}\text{C}$	Watt $\Delta t=50^{\circ}\text{C}$	Watt $\Delta t=50^{\circ}\text{C}$	Watt $\Delta t=50^{\circ}\text{C}$	Watt $\Delta t=50^{\circ}\text{C}$	Watt $\Delta t=50^{\circ}\text{C}$	Watt $\Delta t=50^{\circ}\text{C}$	Watt $\Delta t=50^{\circ}\text{C}$	Watt $\Delta t=30^{\circ}\text{C}$		
189	5	103	124	144	165	185	206	247	288	309	111	1,2082	
225	6	124	149	174	198	223	248	298	347	372	134	1,2074	
261	7	145	173	202	231	260	289	347	405	434	156	1,2066	
297	8	166	199	232	265	298	331	397	463	497	179	1,2058	
333	9	186	223	260	298	335	372	446	521	558	201	1,2050	
369	10	207	248	290	331	373	414	497	580	621	224	1,2042	
405	11	228	273	319	364	410	455	546	637	683	246	1,2034	
441	12	248	298	347	397	446	496	595	694	744	268	1,2026	
477	13	269	322	376	430	483	537	644	752	806	291	1,2018	
513	14	289	346	404	462	519	577	692	808	866	312	1,2010	
549	15	309	371	433	494	556	618	742	865	927	335	1,2001	
585	16	329	395	461	526	592	658	790	921	987	357	1,1993	
621	17	349	419	489	558	628	698	838	977	1047	378	1,1985	
657	18	369	443	517	590	664	738	886	1033	1107	400	1,1977	
693	19	389	467	545	622	700	778	934	1089	1167	422	1,1969	
729	20	409	491	573	654	736	818	982	1145	1227	444	1,1961	
765	21	429	514	600	686	771	857	1028	1200	1286	465	1,1953	
801	22	448	538	627	717	806	896	1075	1254	1344	487	1,1945	
837	23	468	561	655	748	842	935	1122	1309	1403	508	1,1937	
873	24	487	584	682	779	877	974	1169	1364	1461	530	1,1929	
909	25	506	607	708	810	911	1012	1214	1417	1518	550	1,1921	
945	26	526	631	736	841	946	1051	1261	1471	1577	572	1,2074	
981	27	545	653	762	871	980	1089	1307	1525	1634	593	1,1905	
1017	28	564	676	789	902	1014	1127	1352	1578	1691	614	1,1897	
1053	29	583	699	816	932	1049	1165	1398	1631	1748	635	1,1889	
1089	30	601	721	841	962	1082	1202	1442	1683	1803	655	1,1881	
1125	31	620	743	867	991	1115	1239	1487	1735	1859	676	1,1873	
1161	32	638	766	893	1021	1148	1276	1531	1786	1914	696	1,1865	
1197	33	657	788	919	1050	1182	1313	1576	1838	1970	717	1,1857	
1233	34	675	810	945	1080	1215	1350	1620	1890	2025	737	1,1849	
1269	35	694	832	971	1110	1248	1387	1664	1942	2081	758	1,1841	
1305	36	712	854	996	1138	1281	1423	1708	1992	2135	777	1,1833	
1341	37	730	875	1021	1167	1313	1459	1751	2043	2189	797	1,1825	
1377	38	748	897	1047	1196	1346	1495	1794	2093	2243	817	1,1817	

All intermediate sizes are available for widths from 5 to 38 elements and heights from 500 to 2500 mm

Width L [mm]		1600	1800	2000	2200	2300	2500	OUTPUT PER LINEAR METER		Exp. n
Height H [mm]	N° El.	Watt $\Delta t=50^{\circ}\text{C}$	Watt $\Delta t=50^{\circ}\text{C}$	Watt $\Delta t=50^{\circ}\text{C}$	Watt $\Delta t=50^{\circ}\text{C}$	Watt $\Delta t=50^{\circ}\text{C}$	Watt $\Delta t=50^{\circ}\text{C}$	Watt $\Delta t=30^{\circ}\text{C}$		
189	5	330	371	412	453	474	515	111	1,2082	
225	6	397	446	496	546	570	620	134	1,2074	
261	7	462	520	578	636	665	723	156	1,2066	
297	8	530	596	662	728	761	828	179	1,2058	
333	9	595	670	744	818	856	930	201	1,2050	
369	10	662	745	828	911	952	1035	224	1,2042	
405	11	728	819	910	1001	1047	1138	246	1,2034	
441	12	794	893	992	1091	1141	1240	268	1,2026	
477	13	859	967	1074	1181	1235	1343	291	1,2018	
513	14	923	1039	1154	1269	1327	1443	312	1,2010	
549	15	989	1112	1236	1360	1421	1545	335	1,2001	
585	16	1053	1184	1316	1448	1513	1645	357	1,1993	
621	17	1117	1256	1396	1536	1605	1745	378	1,1985	
657	18	1181	1328	1476	1624	1697	1845	400	1,1977	
693	19	1245	1400	1556	1712	1789	1945	422	1,1969	
729	20	1309	1472	1636	1800	1881	2045	444	1,1961	
765	21	1371	1543	1714	1885	1971	2143	465	1,1953	
801	22	1434	1613	1792	1971	2061	2240	487	1,1945	
837	23	1496	1683	1870	2057	2151	2338	508	1,1937	
873	24	1558	1753	1948	2143	2240	2435	530	1,1929	
909	25	1619	1822	2024	2226	2328	2530	550	1,1921	
945	26	1682	1892	2102	2312	2417	2628	572	1,2074	
981	27	1742	1960	2178	2396	2505	2723	593	1,1905	
1017	28	1803	2029	2254	2479	2592	2818	614	1,1897	
1053	29	1864	2097	2330	2563	2680	2913	635	1,1889	
1089	30	1923	2164	2404	2644	2765	3005	655	1,1881	
1125	31	1982	2230	2478	2726	2850	3098	676	1,1873	
1161	32	2042	2297	2552	2807	2935	3190	696	1,1865	
1197	33	2101	2363	2626	2889	3020	3283	717	1,1857	
1233	34	2160	2430	2700	2970	3105	3375	737	1,1849	
1269	35	2219	2497	2774	3051	3190	3468	758	1,1841	
1305	36	2277	2561	2846	3131	3273	3558	777	1,1833	
1341	37	2334	2626	2918	3210	3356	3648	797	1,1825	
1377	38	2392	2691	2990	3289	3439	3738	817	1,1817	

ARDESIA®

TOWEL RAILS

ELECTRIC

STAINLESS STEEL

RADIATORS

VENTILATION RADIATORS

MYWAY® ACCESSORIES AND TECHNICAL SUPPORT