



# DORIANA VERTICAL



**EUROPEAN WARRANTY**

**MATERIAL:**

- Horizontal collectors in painted mild steel, semiovali 30x40 mm.
- Vertical heating elements in painted mild steel ø 25 mm.

**FIXING KIT:**

Brackets, airvent, hexagonal tool, plugs and screws for mounting suitable for use on compact or hollow brick, user notice. The kit is certified from TÜV in compliance with VDI 6036 - class 4.

**PACKAGING:**

Carton angular and profiles protected by a recyclable film in polyethylene. User notice included.

**PAINTING PROCESS:**

Painted with ecological epoxy powders (Certificate DIN 55900-1,-2).

**COLOURS:**

See colour chart.

**ACCESSORIES:**

For the complete list, please refer to the accessories chapter.

Height H [mm]	500	600	700	800	900	1000	1200	1400	1500
Therm. output per el. Δt = 50 °C [Watt]	23,7	27,9	32,1	36,2	40,3	44,3	52,4	60,4	64,5
Therm. output per el. Δt = 30 °C [Watt]	12,3	14,5	16,7	18,8	20,9	23,0	27,2	31,3	33,4
Dry Weight per section [kg]	0,352	0,411	0,470	0,529	0,588	0,647	0,765	0,883	0,942
Element water content [lt]	0,241	0,282	0,323	0,364	0,405	0,446	0,528	0,610	0,651
Element surface [m <sup>2</sup> ]	0,042	0,050	0,058	0,066	0,074	0,082	0,098	0,114	0,122
Exp. n	1,2791	1,2801	1,2810	1,2820	1,2830	1,2839	1,2859	1,2878	1,2888
Pipe centres l [mm] (V3-V4 only)	450	550	650	750	850	950	1150	1350	1450

For output at different ΔT, please refer to the following formula: desired output = output at ΔT 50 x (desired ΔT/50)<sup>n</sup>

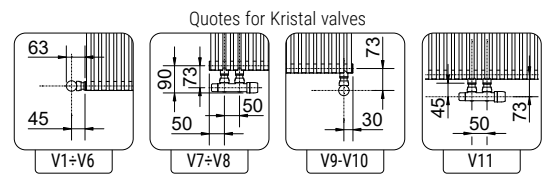
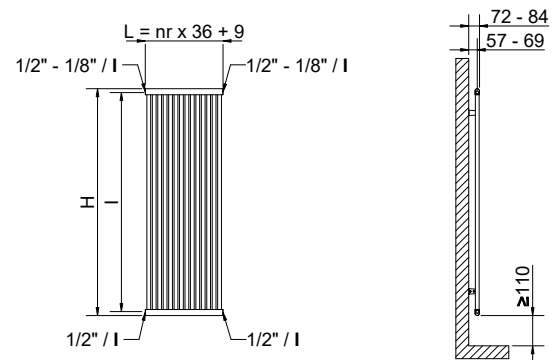
Height H [mm]	1600	1800	2000	2200	2300	2500
Therm. output per el. Δt = 50 °C [Watt]	68,5	76,5	84,5	92,6	96,6	105
Therm. output per el. Δt = 30 °C [Watt]	35,4	39,5	43,6	47,8	49,8	54,1
Dry Weight per section [kg]	1,001	1,119	1,237	1,355	1,414	1,532
Element water content [lt]	0,692	0,774	0,856	0,938	0,979	1,061
Element surface [m <sup>2</sup> ]	0,130	0,146	0,162	0,178	0,186	0,202
Exp. n	1,2897	1,2917	1,2936	1,2955	1,2965	1,2984
Pipe centres l [mm] (V3-V4 only)	1550	1750	1950	2150	2250	2450

P. Max: 8 bar

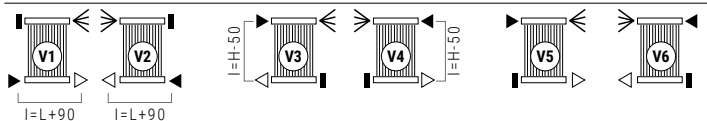
T. Max: 110° C

Functioning: hot water

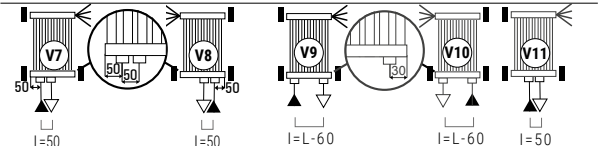
Connections: n° 2 x 1/2" G - 1 x 1/2" G



**STANDARD CONNECTIONS WITHOUT SURCHARGE**



**SPECIAL CONNECTIONS**



**LEGENDA:** ► In    ▷ Out    ◀ airvent    H Height    l pipe centres    L width

□ connection    ■ welded cap

Always specify the kind of connection needed when ordering.  
Bidirectional pipe connection not available

**HOW TO ORDER THE RADIATOR DORIANA VERTICAL**

ARTICLE NR. STRUCTURE	Radiator model	Nr of Elements	Height in cm	Code of the connection	Code of the colour	Constant value
AAAA	BB	CCC	DDD	EEE	A	

EXAMPLE	Radiator model E.g.: Doriana vertical	Nr of Elements E.g.: 15 elements	Height in cm Example: 1800 mm	Code of the connection Example: connection V1	Code of the colour Example: S16 - Canary	Constant value
D025	15	180	V01	S16	A	

**EXAMPLE OF ARTICLE CODE CREATION**

In the case of a radiator:  
**D025** ... DORIANA VERTICAL  
**15** ... 15 elements  
**180** ... Height 1800 mm  
**V01** ... connection V1  
**S16** ... colour S16 - Canary  
**A** ... (Constant value)  
 The article code will be:  
**D025 15 180 V01 S16 A**

**ACCESSORIES**

If ordered separately from the radiator, the accessories are available in standard white only

**Kristal valve square with thermostatic option white R01**

Copper conn. Ø 12/14/15  
Art. nr. 5991990311161

Multilayer conn. Ø 16  
Art. nr. 5991990311160

**Kristal valve square pipe centres 50 mm right white R01**

Copper conn. Ø 12/14/15  
Art. nr. 5991990311186

Multilayer conn. Ø 16  
Art. nr. 5991990311185

**Thermostatic head white**

(Kit 2 pieces)  
Art. nr. 5035270710016

Art. nr. are referred to colour WHITE R01



# DORIANA VERTICAL

Height H [mm]		500	600	700	800	900	1000	1200	1400	1500
Width L [mm]	N° El.	Watt $\Delta t=50^{\circ}\text{C}$	Watt $\Delta t=50^{\circ}\text{C}$	Watt $\Delta t=50^{\circ}\text{C}$	Watt $\Delta t=50^{\circ}\text{C}$	Watt $\Delta t=50^{\circ}\text{C}$	Watt $\Delta t=50^{\circ}\text{C}$	Watt $\Delta t=50^{\circ}\text{C}$	Watt $\Delta t=50^{\circ}\text{C}$	Watt $\Delta t=50^{\circ}\text{C}$
189	5	119	140	161	181	202	222	262	302	323
225	6	142	167	193	217	242	266	314	362	387
261	7	166	195	225	253	282	310	367	423	452
297	8	190	223	257	290	322	354	419	483	516
333	9	213	251	289	326	363	399	472	544	581
369	10	237	279	321	362	403	443	524	604	645
405	11	261	307	353	398	443	487	576	664	710
441	12	284	335	385	434	484	532	629	725	774
477	13	308	363	417	471	524	576	681	785	839
513	14	332	391	449	507	564	620	734	846	903
549	15	356	419	482	543	605	665	786	906	968
585	16	379	446	514	579	645	709	838	966	1032
621	17	403	474	546	615	685	753	891	1027	1097
657	18	427	502	578	652	725	797	943	1087	1161
693	19	450	530	610	688	766	842	996	1148	1226
729	20	474	558	642	724	806	886	1048	1208	1290
765	21	498	586	674	760	846	930	1100	1268	1355
801	22	521	614	706	796	887	975	1153	1329	1419
837	23	545	642	738	833	927	1019	1205	1389	1484
873	24	569	670	770	869	967	1063	1258	1450	1548
909	25	593	698	803	905	1008	1108	1310	1510	1613
945	26	616	725	835	941	1048	1152	1362	1570	1677
981	27	640	753	867	977	1088	1196	1415	1631	1742
1017	28	664	781	899	1014	1128	1240	1467	1691	1806
1053	29	687	809	931	1050	1169	1285	1520	1752	1871
1089	30	711	837	963	1086	1209	1329	1572	1812	1935
1125	31	735	865	995	1122	1249	1373	1624	1872	2000
1161	32	758	893	1027	1158	1290	1418	1677	1933	2064
1197	33	782	921	1059	1195	1330	1462	1729	1993	2129
1233	34	806	949	1091	1231	1370	1506	1782	2054	2193
1269	35	830	977	1124	1267	1411	1551	1834	2114	2258
1305	36	853	1004	1156	1303	1451	1595	1886	2174	2322
1341	37	877	1032	1188	1339	1491	1639	1939	2235	2387
1377	38	901	1060	1220	1376	1531	1683	1991	2295	2451

All intermediate sizes are available for widths from 5 to 38 elements and heights from 500 to 2500 mm

Height H [mm]		1600	1800	2000	2200	2300	2500
Width L [mm]	N° El.	Watt $\Delta t=50^{\circ}\text{C}$	Watt $\Delta t=50^{\circ}\text{C}$	Watt $\Delta t=50^{\circ}\text{C}$	Watt $\Delta t=50^{\circ}\text{C}$	Watt $\Delta t=50^{\circ}\text{C}$	Watt $\Delta t=50^{\circ}\text{C}$
189	5	343	383	423	463	483	525
225	6	411	459	507	556	580	630
261	7	480	536	592	648	676	735
297	8	548	612	676	741	773	840
333	9	617	689	761	833	869	945
369	10	685	765	845	926	966	1050
405	11	754	842	930	1019	1063	1155
441	12	822	918	1014	1111	1159	1260
477	13	891	995	1099	1204	1256	1365
513	14	959	1071	1183	1296	1352	1470
549	15	1028	1148	1268	1389	1449	1575
585	16	1096	1224	1352	1482	1546	1680
621	17	1165	1301	1437	1574	1642	1785
657	18	1233	1377	1521	1667	1739	1890
693	19	1302	1454	1606	1759	1835	1995
729	20	1370	1530	1690	1852	1932	2100
765	21	1439	1607	1775	1945	2029	2205
801	22	1507	1683	1859	2037	2125	2310
837	23	1576	1760	1944	2130	2222	2415
873	24	1644	1836	2028	2222	2318	2520
909	25	1713	1913	2113	2315	2415	2625
945	26	1781	1989	2197	2408	2512	2730
981	27	1850	2066	2282	2500	2608	2835
1017	28	1918	2142	2366	2593	2705	2940
1053	29	1987	2219	2451	2685	2801	3045
1089	30	2055	2295	2535	2778	2898	3150
1125	31	2124	2372	2620	2871	2995	3255
1161	32	2192	2448	2704	2963	3091	3360
1197	33	2261	2525	2789	3056	3188	3465
1233	34	2329	2601	2873	3148	3284	3570
1269	35	2398	2678	2958	3241	3381	3675
1305	36	2466	2754	3042	3334	3478	3780
1341	37	2535	2831	3127	3426	3574	3885
1377	38	2603	2907	3211	3519	3671	3990

ARDESIA®

TOWEL RAILS

ELECTRIC

STAINLESS STEEL

RADIATORS

VENTILATION RADIATORS

MYWAY® ACCESSORIES AND TECHNICAL SUPPORT