

EXTRA 2 INOX COMPACT

STAINLESS STEEL 316L CALORIFIER WITH 2 STAINLESS STEEL EXTRACTABLE HEAT EXCHANGERS
SUITABLE FOR LOW-CEILINGED ROOMS



APPLICATION

Production and storage of domestic hot water (DHW). Suitable for low-ceilinged room.

MATERIAL

Stainless Steel 316 L suitable for domestic hot water

HEAT EXCHANGER

N° 2 Stainless steel 316L Antilegionella® heat exchangers (upper exchanger is straight and the lower is bent to the bottom).

INSULATION (DISMOUNTABLE)

NOFIRE® polyester fleece 100% made of recyclable material, with high thermal insulation. Fire resistance class B-s2d0 according to EN 13501. Grey PVC external lining.

CATHODE PROTECTION

N° 2 magnesium anodes.

DRAIN

External confluence through drain connection.

GASKET- FLANGE PLATE

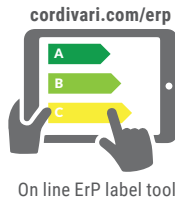
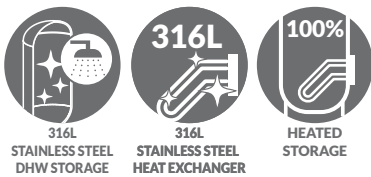
Silicone gaskets suitable for water intended for human consumption (tested according to 98/83/CE), max temperature up to 200°C. Mild steel exchanger head with anticorrosion treatment.

WARRANTY

5 years - See general sales conditions and warranty

ACCESSORIES AND SPARE PARTS

See Accessories section for the entire list.



EXTRA 2 COMPACT XXC

HEAT EXCHANGER SURFACE

DISMOUNTABLE SOFT FLEECE insulation

Model	Art. Nr.	Lower Upper	
		[m²]	
2500	3082052300211	5	5
3000	3082052300213	6	6
4000	3082052300215	8	8

ACCESSORIES

ELECTRIC IMMERSION HEATERS



Mod. Heated volume by electric immersion heater [lit]

2500	797
3000	874
4000	924

MONOPHASE

1,5 kW	2 kW	3 kW
5240000000051	5240000000052	5240000000053
Ignition time from 10 °C to 45 °C with electric immersion heaters [min]		
1428	1071	714
1565	1173	782
1655	1241	828

THREEPHASE

4 kW	5 kW	6 kW	9 kW	12 kW
5240000000047	5240000000048	5240000000049	5240000000050	5240000000031
Ignition time from 10 °C to 45 °C with electric immersion heaters [min]				
535	428	357	238	178
587	469	391	261	196
621	497	414	276	207

"Easy Control" Electronic Display-mounted on tank

ART. NR.	FOR MODELS
5005000310002	XXC



Thermometer

Art. Nr.
5032240000107
5 units box



Titanium electronic anode (for stainless steel calorifiers)

See Accessories section



EXTRA 2 INOX COMPACT

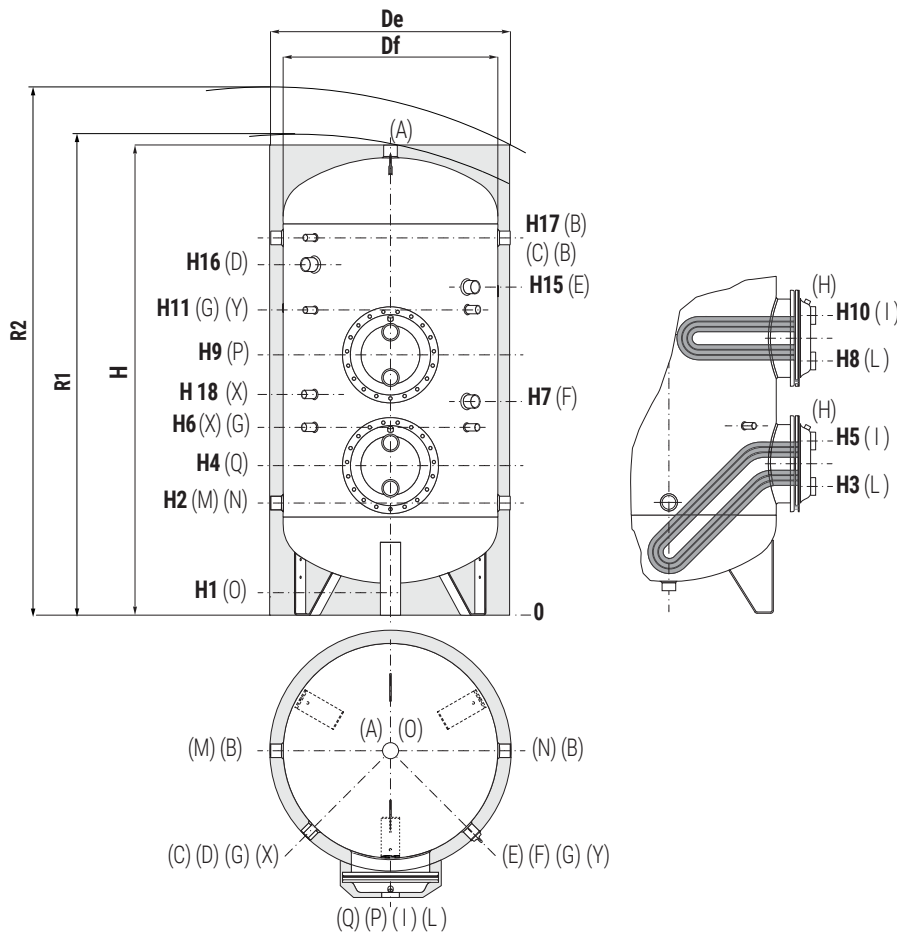
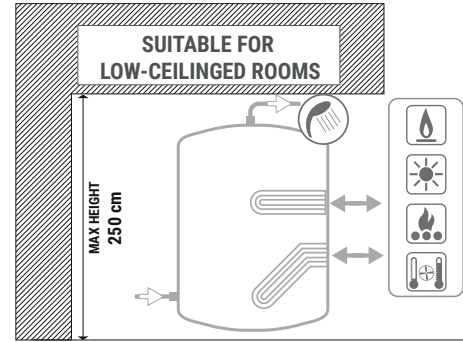
STAINLESS STEEL 316L CALORIFIER WITH 2 STAINLESS STEEL EXTRACTABLE HEAT EXCHANGERS
SUITABLE FOR LOW-CEILINGED ROOMS

STORAGE		HEAT EXCHANGER	
Pmax	Tmax	Pmax	Tmax
6 bar	95 °C	12 bar	110 °C



CORDIVARI Lab

TÜV Rheinland Energie und Umwelt GmbH states that test procedures and Cordivari LAB are certified conforming to European standard EN 15332, as indicated by Ecodesign ErP Directive.



A	Domestic hot water outlet 2" F
B	Recirculation / Domestic hot water outlet 2" F
C	Connection for instrumentation 1/2" F
D	Connection for electric immersion heater 2" F
E	Connection for 2nd magnesium anode/Titanium electronic anode 1"1/4 F
F	Connection for magnesium anode/Titanium electronic anode 1"1/4 F
G	Connection for instrumentation 1/2" F
M	Domestic cold water circuit inlet 2" F
N	Alternative domestic cold water circuit inlet or connection for more boilers 2" F
L	Primary circuit outlet 2" F
I	Primary circuit inlet 2" F
O	Drain 1" F
P	Flange
H	Heat exchanger drain 3/8" F
X	Connection for titanium electronic anode 3/4" F
Y	Connection for titanium electronic anode 3/4" F (solo 4000)

Model	Volume [lt]	Df	De	H	R1	R2	H1	H2	H3	H4	H5	H6	H7	H8	H9
		[mm]													
2500	2635	1400	1500	2122	2251	2600	117	557	677	782	887	957	1077	1257	1362
3000	3038	1500	1600	2131	2276	//	106	556	736	841	946	956	1076	1256	1361
4000	4002	1600	1700	2409	2555	//	94	564	744	849	954	1024	1144	1331	1436

Model	H10	H11	H12	H15	H16	H17	H18	P Q
	[mm]							
2500	1537	1432	1177	1552	1501	1657	1180	Øi350/Øe430
3000	1466	1431	1176	1551	1500	1656	1180	Øi350/Øe430
4000	1716	1611	1251	1809	1732	1904	1250	Øi350/Øe430