



KEIRA VERTICAL



**EUROPEAN
WARRANTY**

MATERIAL:

- Horizontal collectors in painted mild steel ø 38 mm.
- Rectangular vertical heating elements in painted mild steel 10 x 50 mm.

FIXING KIT:

Brackets, airvent, hexagonal tool, plugs and screws for mounting suitable for use on compact or hollow brick, user notice.

PACKAGING:

Carton angular and profiles protected by a recyclable film in polyethylene. User notice included.

PAINTING PROCESS:

Painted with ecological epoxy powders (Certificate DIN 55900-1,-2).

COLOURS:

See colour chart.

ACCESSORIES:

For the complete list, please refer to the accessories chapter.

Height H [mm]	538	638	738	838	938	1400	1600	1800	1900
Therm. output per el. Δt = 50 °C [Watt]	31,1	35,8	40,5	45,2	49,9	72,3	82,5	92,9	98,3
Therm. output per el. Δt = 30 °C [Watt]	16,6	19,1	21,5	24,0	26,3	37,8	42,9	48,4	51,3
Dry Weight per section [kg]	0,652	0,761	0,869	0,978	1,086	1,586	1,803	2,020	2,129
Element water content [lt]	0,255	0,291	0,327	0,364	0,400	0,566	0,639	0,711	0,747
Element surface [m ²]	0,072	0,084	0,096	0,108	0,120	0,175	0,199	0,223	0,235
Exp. n	1,2273	1,232	1,2367	1,2414	1,2557	1,2700	1,2802	1,2757	1,2735
Pipe centres l [mm] (V3-V4 only)	500	600	700	800	900	1362	1562	1762	1862

For output at different ΔT, please refer to the following formula: desired output = output at ΔT 50 x (desired Δt/50)ⁿ

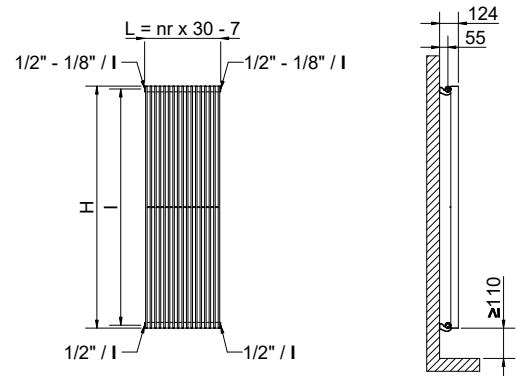
Height H [mm]	2000	2200
Therm. output per el. Δt = 50 °C [Watt]	103,8	115,1
Therm. output per el. Δt = 30 °C [Watt]	54,2	59,4
Dry Weight per section [kg]	2,238	2,455
Element water content [lt]	0,783	0,856
Element surface [m ²]	0,247	0,271
Exp. n	1,2712	1,2957
Pipe centres l [mm] (V3-V4 only)	1962	2162

P. Max: 5 bar

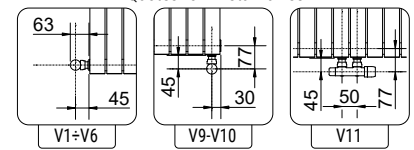
T. Max: 110° C

Functioning: hot water

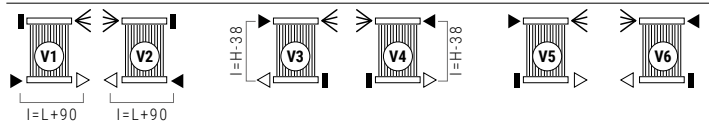
Connections: n° 2 x 1/2" G - n° 1 da 1/8" G



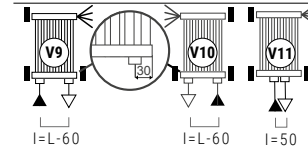
Quotes for Kristal valves



STANDARD CONNECTIONS WITHOUT SURCHARGE



SPECIAL CONNECTIONS



LEGENDA: ► In ◄ Out ◄◄ airvent H Height l pipe centres L width □ connection ■ welded cap

Always specify the kind of connection needed when ordering.
Bidirectional pipe connection not available

HOW TO ORDER THE RADIATOR KEIRA VERTICAL

ARTICLE NR. STRUCTURE	Radiator model	Nr of Elements	Height in cm	Code of the connection	Code of the colour	Constant value
AAAA	BB	CCC	DDD	EEE	A	

EXAMPLE	Radiator model E.g.: Keira vertical	Nr of Elements E.g.: 24 elements	Height in cm Example: 1400 mm	Code of the connection Example: connection V2	Code of the colour Example: S16 - Canary	Constant value
KE10	24	140	V02	S16	A	

EXAMPLE OF ARTICLE CODE CREATION

In the case of a radiator:
KE10 KEIRA VERTICAL
24 24 elements
140 Height 1400 mm
V02 connection V2
S16 colour S16 - Canary
A (Constant value)
 The article code will be:
KE10 24 140 V02 S16 A

ACCESSORIES

If ordered separately from the radiator, the accessories are available in standard white only

Kristal valve square with thermostatic option white R01

Copper conn. Ø 12/14/15
Art. nr. 5991990311161

Multilayer conn. Ø 16
Art. nr. 5991990311160

Kristal valve square pipe centres 50 mm right white R01

Copper conn. Ø 12/14/15
Art. nr. 5991990311186

Multilayer conn. Ø 16
Art. nr. 5991990311185

Thermostatic head white

(Kit 2 pieces)
Art. nr. 5035270710016

Art. nr. are referred to colour WHITE R01



KEIRA VERTICAL

Height H [mm]		538	638	738	838	938	1400	1600	1800	1900
Width L [mm]	N° El.	Watt $\Delta t=50^{\circ}\text{C}$	Watt $\Delta t=50^{\circ}\text{C}$	Watt $\Delta t=50^{\circ}\text{C}$	Watt $\Delta t=50^{\circ}\text{C}$	Watt $\Delta t=50^{\circ}\text{C}$	Watt $\Delta t=50^{\circ}\text{C}$	Watt $\Delta t=50^{\circ}\text{C}$	Watt $\Delta t=50^{\circ}\text{C}$	Watt $\Delta t=50^{\circ}\text{C}$
263	9	280	322	365	407	449	651	743	836	885
293	10	311	358	405	452	499	723	825	929	983
323	11	342	394	446	497	549	795	908	1022	1081
353	12	373	430	486	542	599	868	990	1115	1180
383	13	404	465	527	588	649	940	1073	1208	1278
413	14	435	501	567	633	699	1012	1155	1301	1376
443	15	467	537	608	678	749	1085	1238	1394	1475
473	16	498	573	648	723	799	1157	1320	1486	1573
503	17	529	609	689	768	849	1229	1403	1579	1671
533	18	560	644	729	814	898	1301	1485	1672	1769
563	19	591	680	770	859	948	1374	1568	1765	1868
593	20	622	716	810	904	998	1446	1650	1858	
623	21	653	752	851	949	1048	1518	1733		
653	22	684	788	891	994	1098	1591			
683	23	715	823	932	1040	1148				
713	24	746	859	972	1085	1198				
743	25	778	895	1013	1130	1248				
773	26	809	931	1053	1175	1298				
803	27	840	967	1094	1220	1348				
833	28	871	1002	1134	1266	1398				
863	29	902	1038	1175	1311	1447				
893	30	933	1074	1215	1356	1497				
923	31	964	1110	1256	1401	1547				
953	32	995	1146	1296	1446	1597				
983	33	1026	1181	1337	1492	1647				
1013	34	1057	1217	1377	1537	1697				
1043	35	1089	1253	1418	1582	1747				
1073	36	1120	1289	1458	1627	1797				
1103	37	1151	1325	1499	1672	1847				
1133	38	1182	1360	1539	1718	1897				
1163	39	1213	1396	1580	1763	1947				
1193	40	1244	1432	1620	1808	1997				
1223	41	1275	1468	1661	1853	2046				
1253	42	1306	1504	1701	1898					
1283	43	1337	1539	1742						
1313	44	1368	1575	1782						
1373	46	1431	1647							
1433	48	1493								

All intermediate sizes are available for widths from 9 to 48 elements and heights from 540 to 2200 mm

Height H [mm]		2000	2200
Width L [mm]	N° El.	Watt $\Delta t=50^{\circ}\text{C}$	Watt $\Delta t=50^{\circ}\text{C}$
263	9	934	1036
293	10	1038	1151
323	11	1142	1266
353	12	1246	1381
383	13	1349	1496
413	14	1453	1611
443	15	1557	1727
473	16	1661	1842
503	17	1765	
533	18	1868	



ARDESIA®

TOWEL RAILS

ELECTRIC

STAINLESS STEEL

RADIATORS

VENTILATION RADIATORS

MYWAY® ACCESSORIES AND TECHNICAL SUPPORT