

# VASO A MEMBRANA VERNICIATO PED VT

## VERTICAL PAINTED EXPANSION VESSEL WITH MEMBRANE (DIRECTIVE 2014/68/UE)



PRESSURE	TEMPERATURE
Pmax 8 bar	Tmax -10/+99 °C



VASO MEMB. V PED VT	
Model	Art. Nr.
<b>50</b>	3911162241007
<b>80</b>	3911162241008
<b>100</b>	3911162241003
<b>200</b>	3911162241004
<b>300</b>	3911162241011
<b>500</b>	3911162241012

VASO MEMB. V PED 50 LT (9 unit box)

9 unit box	
Model	Art. Nr.
<b>50</b>	391116224100709

### TECHNICAL DESCRIPTION

Vertical V PED expansion vessels with membrane are used for lifted water systems and they represent a pressurised water lung that, if duly dimensioned, reduces pump cycling. The peculiarity of this product is the physic separation between water and air made by the membrane.

### APPLICATION

Perfect to ensure water deliveries to the top floors of the building or to work in case of insufficient water supplied by waterworks, or to stabilize pressure in the domestic water supply by absorbing expansion when the water is heated.

### MATERIAL

Painted mild steel.

### MEMBRANE

Elastic EPDM membrane suitable for drinking water.

### CERTIFICATIONS

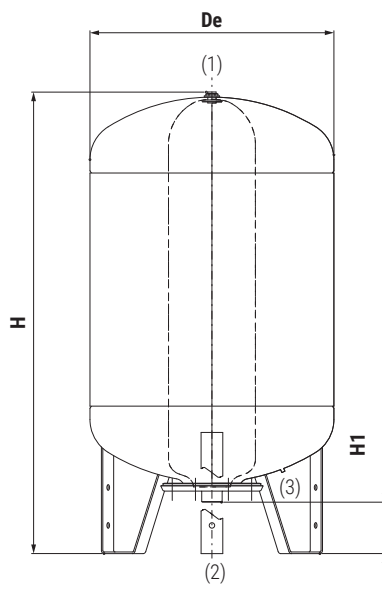
V PED VT expansion vessels with membrane are produced in accordance with safety disposal of European Directive 2014/68/UE in terms of pressurized devices.

They are CE labelled with design data:

- pressurized fluid: water+air or nitrogen
- Fluid group: 2
- max. working pressure: 10bar

### DOCUMENTS ATTACHED

- CE certification
- User Instructions



Model	De [mm]	H [mm]	H1 [mm]	Connections			WORKING CONDITIONS	
				1	2	3	Temp. min/max [°C]	Press. max [bar]
<b>50</b>	400	627	91	Air inlet valve	1" M	-	-10/+99	10
<b>80</b>	450	717	88		1" M	Water in/out	-10/+99	10
<b>100</b>	450	872	88	1/2" Instrumentation	1" M	Air inlet valve	-10/+99	10
<b>200</b>	550	1187	151	1/2" Instrumentation	1" 1/4 F		-10/+99	10

Model	De [mm]	H [mm]	H1 [mm]	Connections			Used as cushion pressure vessel		Used as expansion vessel	
				1	2	3	Temp. min/max [°C]	Press. max [bar]	Temp. min/max [°C]	Press. max [bar]
<b>300</b>	650	1254	150	1/2" Instrumentation	1" 1/4 F	Water in/out	-10/+50	10	-10/+99	6
<b>500</b>	750	1511	144	1/2" Instrumentation	1" 1/4 F	Water in/out	-10/+50	10	-10/+99	6

# VASO A MEMBRANA VERNICIATO PED 24 LT

## PAINTED EXPANSION VESSEL WITH MEMBRANE (DIRECTIVE 2014/68/UE)



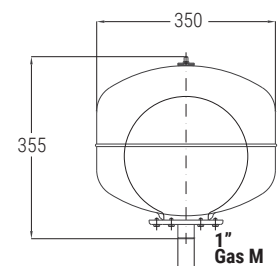
PRESSURE	TEMPERATURE
Pmax 8 bar	Tmax -10/+99 °C



### VASO MEMB. V PED 24 LT (36 unit box)

36 unit box	
Model	Art. Nr.
<b>24</b>	390119061000136

VASO MEMB. V PED 24 LT	
Model	Art. Nr.
<b>24</b>	3901190610001



# VASO A MEMBRANA VERNICIATO PED OR

## HORIZONTAL PAINTED EXPANSION VESSEL WITH MEMBRANE (DIRECTIVE 2014/68/UE)

Model	VASO MEMB. V PED OR
	Art. Nr.
<b>50</b>	3911161341007
<b>80</b>	3911161341008
<b>100</b>	3911161341003
<b>200</b>	3911161341004
<b>300</b>	3911161341011
<b>500</b>	3911161341012



PRESSURE	TEMPERATURE
Pmax	Tmax
8 bar	-10/+99 °C

### TECHNICAL DESCRIPTION

Horizontal V PED expansion vessels with membrane are used for lifted water systems and they represent a pressurised water lung that, if duly dimensioned, reduces pump cycling. The peculiarity of this product is the physic separation between water and air made by the membrane.

### APPLICATION

Perfect to ensure water deliveries to the top floors of the building or to work in case of insufficient water supplied by waterworks, or to stabilize pressure in the domestic water supply by absorbing expansion when the water is heated.

### MATERIAL

Painted mild steel.

### MEMBRANE

Elastic EPDM membrane suitable for drinking water.

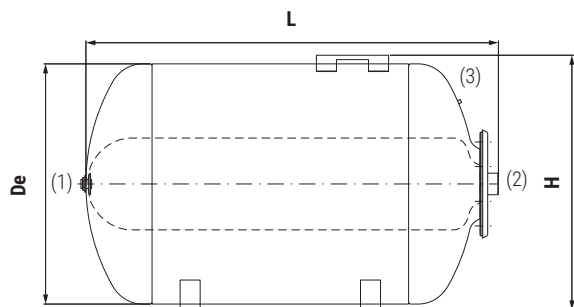
### CERTIFICATIONS

V PED OR expansion vessels with membrane are produced in accordance with safety disposal of European Directive 2014/68/UE in terms of pressurized devices.

- They are CE labelled with design data:
- pressurized fluid: water+air or nitrogen
  - Fluid group: 2
  - max. working pressure: 10bar

### DOCUMENTS ATTACHED

- CE certification
- User Instructions

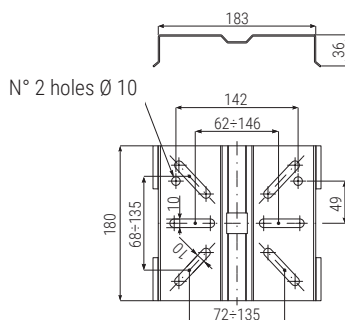


Model	De	H	H1	Connections			WORKING CONDITIONS	
				1	2	3	Temp. min/max [°C]	Press. max [bar]
<b>50</b>	400	424	583		1" M	-	-10/+99	10
<b>80</b>	450	473	598	Air inlet valve	1" M	Water in/out	-10/+99	10
<b>100</b>	450	473	783	1/2" Instrumentation	1" M	Air inlet valve	-10/+99	10
<b>200</b>	550	583	1066	1/2" Instrumentation	1" 1/4 F		-10/+99	10

Model	De	H	H1	Connections			Used as air cushion pressure vessel		Used as expansion vessel	
				1	2	3	Temp. min/max [°C]	Press. max [bar]	Temp. min/max [°C]	Press. max [bar]
<b>300</b>	650	807	1080	1/2" Instrumentation	1" 1/4 F	Water in/out	-10/+50	10	-10/+99	6
<b>500</b>	750	900	1350	1/2" Instrumentation	1" 1/4 F	Air inlet valve	-10/+50	10	-10/+99	6

### MOTOR SUPPORT PLATE

MOTOR SUPPORT PLATE  
50/80/100/200 liters



MOTOR SUPPORT PLATE  
300/500 liters

