

EXTRA 1 VAPORE

POLYWARM® COATED CALORIFIERS WITH 1 STAINLESS STEEL EXTRACTABLE HEAT EXCHANGER FOR STEAM GENERATOR



APPLICATION

Production and storage of sanitary hot water. Suitable for steam generators.

MATERIAL

Mild steel Polywarm® coated (Attestation ACS - SSICA - DVGW - W270 - UBA - WRAS)

HEAT EXCHANGER

1 stainless steel 316L straight heat exchanger suitable for steam power.

INSULATION

- HARD: High thermal insulation with ecological polyurethane hard foam.
- SOFT: NOFIRE® polyester fleece 100% made of recyclable material, with high thermal insulation. Fire resistance class B-s2d0 according to EN 13501.

Grey PVC external lining complete with top and flange cover

CATHODE PROTECTION

Magnesium anode. Models > 1500 n° 2 magnesium anode.

DRAIN

External confluence through drain connection.

Models > 1000 external confluence through drain pipe.

GASKET- FLANGE PLATE

Asbestos-free fiber gaskets

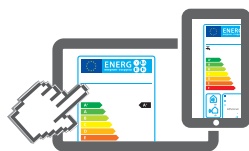
Mild steel exchanger head with anticorrosion treatment.

WARRANTY

5 years - See general sales conditions and warranty

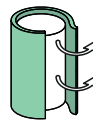
ACCESSORIES AND SPARE PARTS

See Accessories section for the entire list



www.cordivari.com/erp

On line ErP label tool



EXTRA 1 VAPORE WXB

Model	Art. Nr.	[m ²]	ENERGY EFFICIENCY CLASS
500	3069162360123	1	C
800	3069162360124	1,5	C
1000	3069162360125	2	C
1500	3069162360126	3	C
2000	3069162360127	3	C

EXTRA 1 VAPORE WXC

Model	Art. Nr.	[m ²]	ENERGY EFFICIENCY CLASS
800	3069162360134	1,5	C
1000	3069162360135	2	C
1500	3069162360136	3	C
2000	3069162360137	3	C
2500	3069162360111	3	
3000	3069162360108	3	
4000	3069162360109	4	
5000	3069162360110	5	

HEAT EXCHANGERS FOR STEAM GENERATOR TECHNICAL DATA

Model	PED	Upper heat Exchangers performances calculated with primary circuit at 6 bar saturated steam and production of DHW from 10° to 45°C				Upper heat Exchangers performances calculated with primary circuit at 3 bar saturated steam and production of DHW from 10° to 45°C			
		Output	DHW production		Ignition time	Output	DHW production		Ignition time
		[kW]	[l/h]	[l/10']	[min]	[kW]	[l/h]	[l/10']	[min]
500	Art. 4.3	141	3464	1189	9	114	2793	1077	11
800	Cat. I	212	5196	1869	9	171	4189	1701	12
1000	Cat. I	282	6928	2463	9	227	5585	2239	11
1500	Cat. I	423	10393	3554	9	341	8378	3218	11
2000	Cat. I	423	10393	4228	12	341	8378	3892	15
2500	Cat. I	423	10393	4571	13	341	8378	4235	17
3000	Cat. I	423	10393	5438	17	341	8378	5102	22
4000	Cat. I	564	13857	7031	17	455	11171	6583	21
5000	Cat. I	705	17321	9097	17	568	13963	8537	22

Accessories on request

"Easy Control" Electronic Display

ART. NR.	FOR MODELS
5005000310002	WXC
5005000310003	WXB



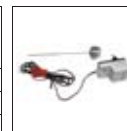
Thermometer

Art. Nr.
5032240000107
5 units box



Titanium electronic anode

Art. Nr.	Model
5200000000009	500, 800
5200000000011	1000, 1500
5200000000013	2000÷5000

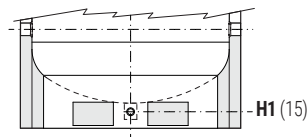
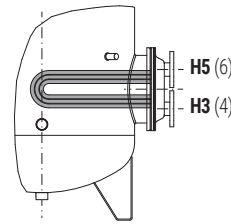
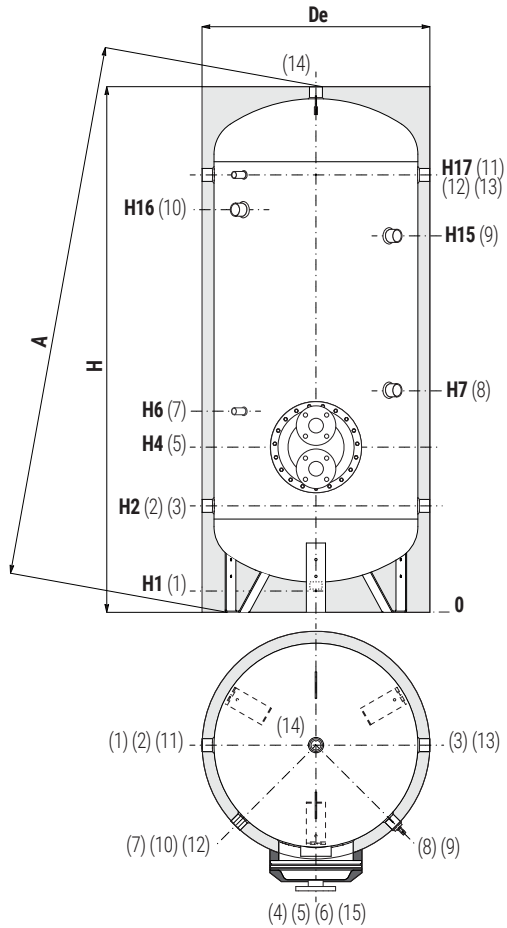
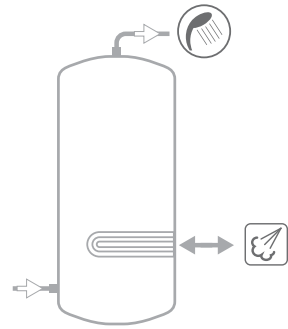


EXTRA1 VAPORE

POLYWARM® COATED CALORIFIERS WITH 1 STAINLESS STEEL EXTRACTABLE HEAT EXCHANGER FOR STEAM GENERATOR

Model	STORAGE		HEAT EXCHANGER	
	P _{max}	T _{max}	P _{max}	T _{max}
500 ÷ 1000	8 bar	90 °C	6 bar	165 °C
1500 ÷ 5000	6 bar			

CORDIVARI Lab
TÜV Rheinland Energie und Umwelt GmbH states that test procedures and Cordivari LAB are certified conforming to European standard EN 15332, as indicated by Ecodesign ErP Directive.



Models from 1500 to 5000 have two gripps on the bottom which allow the use of forklift when handling and drain pipe already fitted.

- 1 Drain 1" 1/4 F
For model 800 connection 1" 1/2 F
- 2 Domestic cold water circuit inlet
- 3 Alternative domestic cold water circuit inlet or connection for more boilers
- 4 Outlet for condense
- 5 Heat exchanger flange
- 6 Steam circuit inlet
- 7 Connection for instrumentation 1/2" F
- 8 Connection for magnesium anode 1" 1/4 F
- 9 Connection for 2nd anode 1" 1/4 F (only for models > 1000)
- 10 Connection for electrical immersion 1" 1/2 F
For models > 800 connection 2" F
- 11-13 Connection for recirculation or for domestic hot water
- 12 Connection for instrumentation 1/2" F
- 14 Domestic hot water outlet
- 15 Drain 1" F (only for models > 1500)

HARD FOAM INSULATION (WXB)

Model	Volume [litres]	Weight [kg]	De	H	A	H1	H2	H3	H4	H5	H6	H7	H15	H16	H17	5	Connections Gas F		
																	2-3	4-6	14
500	500	99	750	1800	1950	85	375	410	460	510	570	760	//	1329	1485	Øe 380	1"1/4	DN25 PN16	1"1/4
800	794	161	900	2135	2320	85	405	450	540	630	690	870	//	1610	1765	Øe 380	1"1/4	DN50 PN16	1"1/4
1000	1042	204	1000	2221	2436	105	458	503	593	683	743	993	//	1664	1818	Øe 380	1"1/2	DN50 PN16	1"1/4
1500	1445	250	1100	2415	2654	109	440	485	575	665	725	1075	//	1895	2050	Øe 380	1"1/2	DN50 PN16	1"1/2
2000	1977	288	1300	2492	2811	91	467	602	692	782	867	842	1952	1877	2057	Øe 380	2"	DN50 PN16	2"

SOFT FLEECE INSULATION (WXC)

Model	Volume [litres]	Weight [kg]	De	H	A	H1	H2	H3	H4	H5	H6	H7	H15	H16	H17	5	Connections Gas F		
																	2-3	4-6	14
800	794	161	970	2188	2210	113	433	478	568	658	718	898	//	1638	1793	Øe 380	1"1/4	DN25 PN16	1"1/4
1000	1042	204	1070	2242	2260	101	454	499	589	679	739	989	//	1660	1814	Øe 380	1"1/4	DN50 PN16	1"1/4
1500	1445	250	1210	2440	2485	109	440	485	575	665	725	1075	//	1895	2050	Øe 380	1"1/2	DN50 PN16	1"1/4
2000	1977	288	1360	2492	2560	91	467	602	692	782	867	842	1952	1877	2057	Øe 380	1"1/2	DN50 PN16	1"1/2
2500	2312	331	1350	2311	2470	140	551	686	776	866	951	976	1816	1732	1891	Øe 380	2"	DN50 PN16	2"
3000	2918	377	1350	2811	2940	140	551	686	776	866	951	1036	2316	2232	2391	Øe 380	2"	DN50 PN16	2"
4000	3769	530	1500	2875	3040	114	570	690	795	900	970	1035	2315	2238	2410	Øe 380	2"	DN50 PN16	2"
5000	4982	663	1700	2915	3120	94	580	700	805	910	980	1035	2335	2265	2420	Øe 430	2"	DN50 PN16	2"

P.E.D. product designed and produced in conformity to the article 4.3 of directive 2014/68/UE - ErP Ecodesign directive 2009/125/CE

EXTRA-BOLLY® CALORIFIERS
BOLLYTERM® CALORIFIERS
STAINLESS STEEL CALORIFIERS
CALORIFIERS FOR HEAT PUMP
MULTIFUEL ENERGY CYLINDERS - PUFFER
HYDRONIC
INERTIAL TANKS
WATER PRESSURE TANKS
COMPRESSED AIR RECEIVERS
ACCESSORIES AND SPARE PARTS
TECHNICAL SUPPORT

EXTRA 2 VAPORE

POLYWARM® COATED CALORIFIERS WITH 2 STAINLESS STEEL EXTRACTABLE HEAT EXCHANGERS FOR STEAM GENERATOR



APPLICATION

Production and storage of sanitary hot water. Suitable for steam generators.

MATERIAL

Mild steel Polywarm® coated (Attestation ACS - SSICA - DVGW - W270 - UBA - WRAS)

HEAT EXCHANGER

2 stainless steel 316L straight heat exchangers suitable for steam power.

INSULATION (DISMOUNTABLE)

NOFIRE® polyester fleece 100% made of recyclable material, with high thermal insulation. Fire resistance class B-s2d0 according to EN 13501. Grey PVC external lining.

CATHODE PROTECTION

2 magnesium anodes.

DRAIN

External confluence through drain connection.

GASKET- FLANGE PLATE

Asbestos-free fiber gaskets

Mild steel exchanger head with anticorrosion treatment.

WARRANTY

5 years - See general sales conditions and warranty

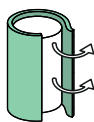
ACCESSORIES AND SPARE PARTS

See Accessories section for the entire list



EXTRA 2 VAPORE WXC

STAINLESS STEEL HEAT EXCHANGER SURFACE



Model	DISMOUNTABLE SOFT FLEECE insulation Art. Nr.	STAINLESS STEEL HEAT EXCHANGER SURFACE	
		Lower	Upper
		[m ²]	
3000	3069162363008	3	3
4000	3069162363009	4	4
5000	3069162363010	5	5

HEAT EXCHANGERS FOR STEAM GENERATOR TECHNICAL DATA

HEAT EXCHANGERS	Model	PED	Upper heat Exchangers performances calculated with primary circuit at 6 bar saturated steam and production of DHW from 10° to 45°C				Upper heat Exchangers performances calculated with primary circuit at 3 bar saturated steam and production of DHW from 10° to 45°C			
			Output	DHW production		Ignition time	Output	DHW production		Ignition time
			[kW]	[l/h]	[l/10']	[min]	[kW]	[l/h]	[l/10']	[min]
MIDDLE	3000	Cat. I	423	10393	4098	11	341	8378	3762	14
	4000	Cat. I	564	13857	5349	11	455	11171	4902	13
	5000	Cat. I	705	17321	6907	11	568	13963	6347	14
LOWER	3000	Cat. I	423	10393	5438	17	341	8378	5102	22
	4000	Cat. I	564	13857	7031	17	455	11171	6583	21
	5000	Cat. I	705	17321	9097	17	568	13963	8537	22

Accessories on request

"Easy Control" Electronic Display

ART. NR.	FOR MODELS
5005000310002	WXC



Thermometer

Art. Nr.
5032240000107
5 units box



Titanium electronic anode

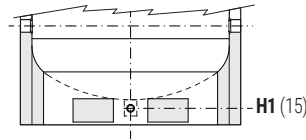
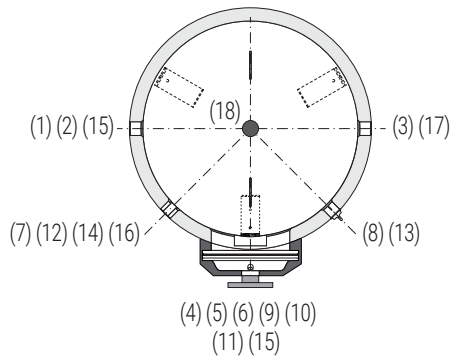
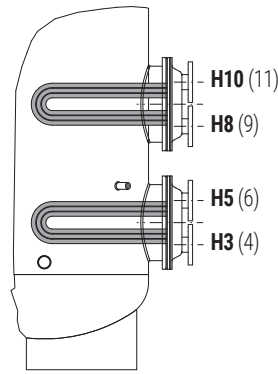
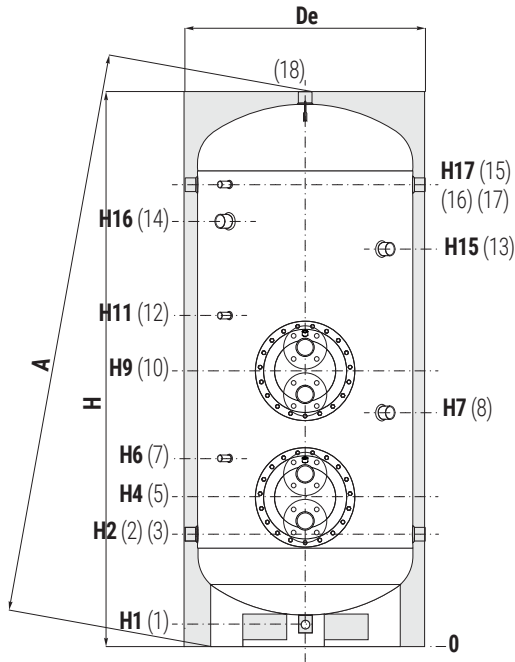
Art. Nr.	Model
5200000000013	3000+5000



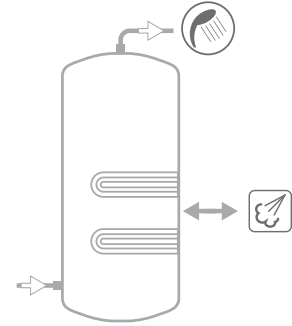
EXTRA 2 VAPORE

POLYWARM® COATED CALORIFIERS WITH 2 STAINLESS STEEL EXTRACTABLE HEAT EXCHANGERS FOR STEAM GENERATOR

STORAGE		HEAT EXCHANGER	
Pmax	Tmax	Pmax	Tmax
6 bar	90 °C	6 bar	165 °C



Tanks have two grips on the bottom which allow the use of forklift when handling and drain pipe already fitted.



- 1** Drain 1" Gas F
- 2** Domestic cold water circuit inlet
- 3** Alternative domestic cold water circuit inlet or connection for more boilers
- 4** Outlet for condense
- 5** Heat exchanger flange Lower
- 6** Steam circuit inlet
- 7-12** Connection for instrumentation 1/2" Gas F
- 8** Connection for magnesium anode 1"1/4 Gas F
- 9** Outlet for condense
- 10** Heat exchanger flange Upper
- 11** Steam circuit inlet
- 13** Connection for 2nd anode 1"1/4 Gas F
- 14** Connection for electrical immersion 2" Gas F
- 15-17** Connection for recirculation or for domestic hot water
- 16** Connection for instrumentation 1/2" Gas F
- 18** Domestic hot water outlet

Model	Volume [litres]	Weight [Kg]	De	H	A	H1	H2	H3	H4	H5	H6	H7
3000	2923	440	1350	2811	3076	140	551	686	776	866	951	1036
4000	3776	620	1500	2875	3198	114	570	690	795	900	970	1035
5000	4990	763	1700	2915	3325	94	580	700	805	910	980	1035

Model	H8	H9	H10	H11	H15	H16	H17	5 10	Connections Gas F				
									2-3 15-17-18	4-6 9-11	7-12-16	8-13	21
3000	1386	1476	1566	1651	2316	2232	2391	∅e 380	2"	DN50 PN16	1/2"	1"1/4	1"
4000	1390	1495	1600	1670	2315	2238	2410	∅e 430	2"	DN50 PN16	1/2"	1"1/4	1"
5000	1400	1505	1610	1680	2335	2265	2420	∅e 430	2"	DN50 PN16	1/2"	1"1/4	1"

P.E.D. product designed and produced in conformity to the article 4.3 of directive 2014/68/UE - ErP Ecodesign directive 2009/125/CE

EXTRA-BOLLY® CALORIFIERS
BOLLYTERM® CALORIFIERS
STAINLESS STEEL CALORIFIERS
CALORIFIERS FOR HEAT PUMP
MULTIFUEL ENERGY CYLINDERS - PUFFER
HYDRONIC
INERTIAL TANKS
WATER PRESSURE TANKS
COMPRESSED AIR RECEIVERS
ACCESSORIES AND SPARE PARTS
TECHNICAL SUPPORT