



ROSY MIRROR



EUROPEAN
WARRANTY

MATERIAL:

- Horizontal collectors in painted mild steel \varnothing 38 mm.
- Vertical heating elements in painted mild steel 50x10 mm.
- Mirror

FIXING KIT:

Brackets, airvent, hexagonal tool, plugs and screws for mounting suitable for use on compact or hollow brick walls, user notice.

PACKAGING:

The radiator is protected by recyclable carton box. User notice included.

PAINTING PROCESS:

Painted with ecological epoxy powders. (Certificate DIN 55900-1,-2)

COLOURS:

Radiator and accessories: standard white colour RAL 9010-R01.

For Other colours see COLOURS CHART.

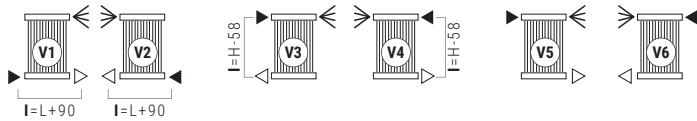
ACCESSORIES:

See accessories section

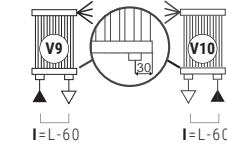
Functioning:	<input checked="" type="checkbox"/> Hot water	
--------------	---	--

P. Max: 5 bar	Functioning: hot water	T. Max: 110° C	Connections: 2 x 1/2" gas - 1 x 1/2" gas for airvent
---------------	------------------------	----------------	--

STANDARD CONNECTIONS



SPECIAL CONNECTIONS



Legenda= In Out Airvent H Height I Pipe Centres L WIDTH Sleeve

Always specify the kind of connection needed when ordering.
Bidirectional pipe connection not available

HOW TO ORDER THE RADIATOR ROSY MIRROR

ARTICLE NR. STRUCTURE	Radiator model	Elements nr.	Height in cm	Article code of the connection	Article code of the colour	Constant value
AAAA	BB	CCC	DDD	EEE	A	

EXAMPLE	Radiator model Eg.: Rosy mirror lateral mirror on the left	Numero elements Eg.: 6 elements	Height in cm Example: 1800 mm	Article code of the connection Example: connection V1	Article code of the colour Example: R01 - White	Constant value
MS50	06	180	V01	R01	A	

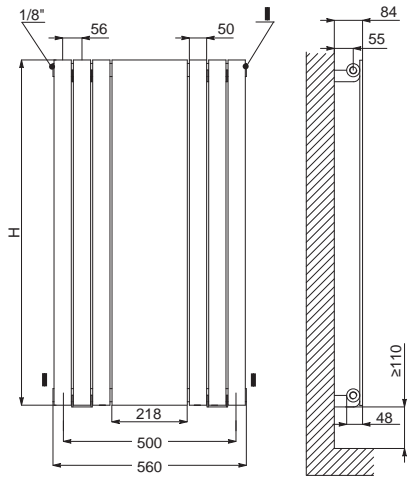
EXAMPLE OF ARTICLE CODE CREATION
In the case of a radiator:
MS50 ROSY mirror lateral mirror on the left
06 6 elements
180 Height 1800 mm
V01 connection V1
R01 colour R01-White
A (Constant value)
 The article code will be:
MS50 06 180 V01 R01 A

ACCESSORIES

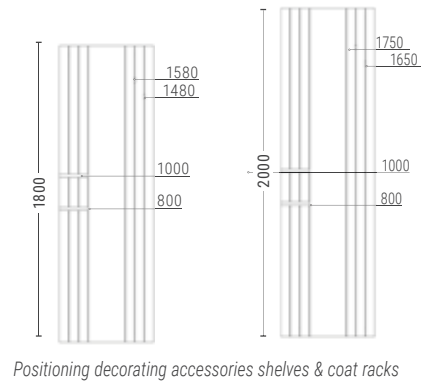
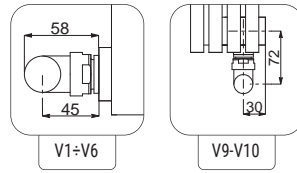
If ordered separately from the radiator, the accessories are available in standard white only.

<p>Kristal valve square With thermostatic option White R01 - ral 9010</p> <p>Copper conn. \varnothing 12/14/15 Art. nr. 5991990311161</p> <p>Multilayer conn. \varnothing 16 Art. nr. 5991990311160</p>	<p>KIT 2 WOODEN SHELVES - 162 x 100 mm</p> <table border="1"> <thead> <tr> <th>Finishing</th> <th>Art. nr.</th> </tr> </thead> <tbody> <tr> <td>White</td> <td>5991990500006</td> </tr> <tr> <td>Bay Oak</td> <td>5991990500005</td> </tr> <tr> <td>Wenghé</td> <td>5991990500007</td> </tr> </tbody> </table> <p>For ROSY MIRROR central mirror</p>		Finishing	Art. nr.	White	5991990500006	Bay Oak	5991990500005	Wenghé	5991990500007	<p>KIT 2 WOODEN SHELVES - 218 x 100 mm</p> <table border="1"> <thead> <tr> <th>Finishing</th> <th>Art. nr.</th> </tr> </thead> <tbody> <tr> <td>White</td> <td>5991990500009</td> </tr> <tr> <td>Bay Oak</td> <td>5991990500008</td> </tr> <tr> <td>Wenghé</td> <td>5991990500010</td> </tr> </tbody> </table> <p>For ROSY MIRROR lateral mirror</p>		Finishing	Art. nr.	White	5991990500009	Bay Oak	5991990500008	Wenghé	5991990500010
	Finishing	Art. nr.																		
White	5991990500006																			
Bay Oak	5991990500005																			
Wenghé	5991990500007																			
Finishing	Art. nr.																			
White	5991990500009																			
Bay Oak	5991990500008																			
Wenghé	5991990500010																			

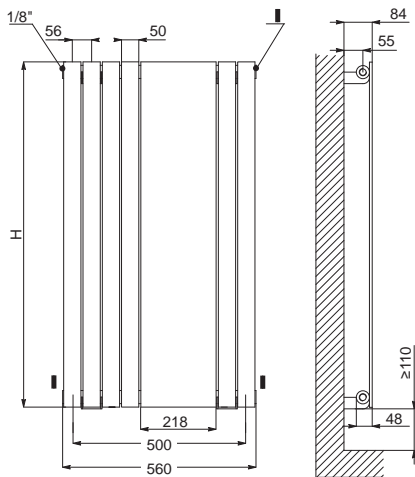
VERSION WITH CENTRAL MIRROR - MC50



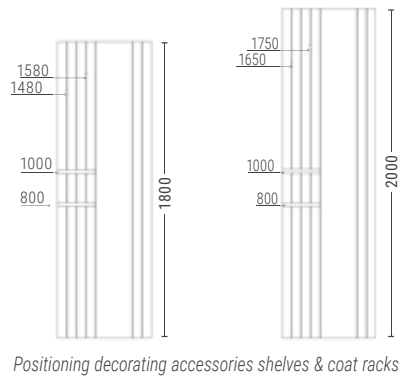
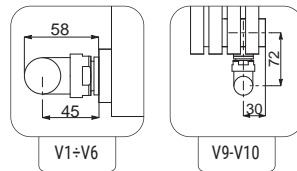
Quotes for Kristal valves



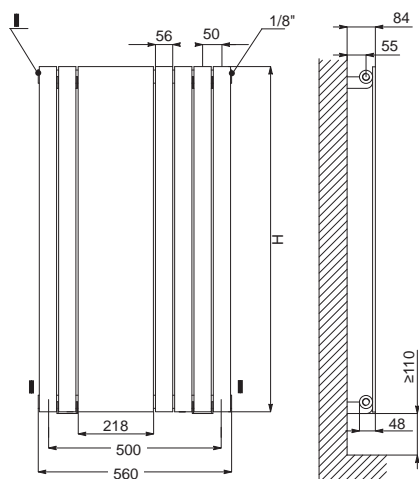
VERSION WITH MIRROR ON THE RIGHT SIDE - MD50



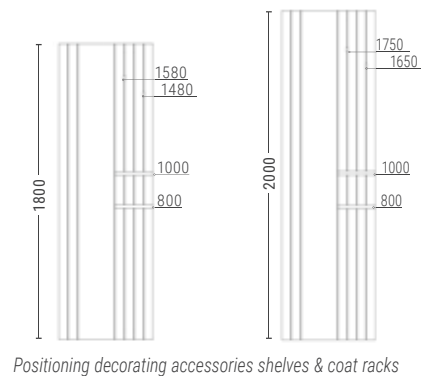
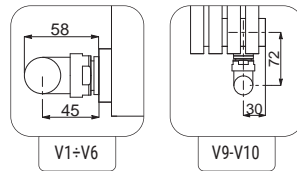
Quotes for Kristal valves



VERSION WITH MIRROR ON THE LEFT SIDE - MS50



Quotes for Kristal valves



ROSY MIRROR

Height [mm]	WIDTH L [mm]	Pipe Centres l [mm]	central mirror	LATERAL MIRROR ON THE RIGHT	LATERAL MIRROR ON THE LEFT	Dry Weight [Kg]	Surface [m2]	Water content [l]	Thermal output [Watt]		Exp. n
									Δt=50°C	Δt=30°C	
1800	560	500	MC50	MD50	MS50	22,4	1,43	5	684	355	1,2840
2000	560	500				24,6	1,57	5,5	756	397	1,2626

Art. nr. are referred to colour WHITE R01 - RAL 9010 version.

For output at different, please refer to the following formula: desired output = output at Δt 50°C x (desired Δt/50)ⁿ