



ROSY MAX



**EUROPEAN
WARRANTY**

MATERIAL:

- Horizontal collectors in painted mild steel \varnothing 38 mm.
- Double vertical heating elements in painted mild steel 50x10 mm.

FIXING KIT:

Brackets, airvent, hexagonal tool, plugs and screws for mounting suitable for use on compact or hollow brick, user notice.

PACKAGING:

Carton angular and profiles protected by a recyclable film in polyethylene. User notice included.

PAINTING PROCESS:

Painted with ecological epoxy powders (Certificate DIN 55900-1,-2).

COLOURS:

See colour chart.

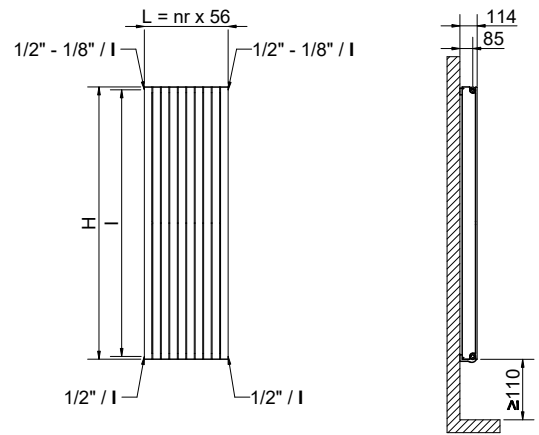
ACCESSORIES:

For the complete list, please refer to the accessories chapter.

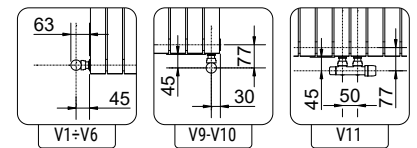
Height H [mm]	390	540	640	840	940	1800	2000
Therm. output per el. $\Delta t = 50^\circ\text{C}$ [Watt]	62,6	83	96,2	121,6	133,9	232,2	253,5
Therm. output per el. $\Delta t = 30^\circ\text{C}$ [Watt]	32,4	42,9	49,6	62,4	68,6	118,3	129,4
Dry Weight per section [kg]	1,393	1,882	2,207	2,859	3,185	5,987	6,639
Element water content [lt]	0,535	0,698	0,806	1,023	1,132	2,065	2,282
Element surface [m ²]	0,154	0,208	0,244	0,316	0,352	0,661	0,733
Exp. n	1,2866	1,2930	1,2972	1,3057	1,3100	1,3201	1,3160
Pipe centres l [mm] (V3-V4 only)	350	500	600	800	900	1760	1960

For output at different ΔT , please refer to the following formula: desired output = output at $\Delta T 50^\circ\text{C} \times (\text{desired } \Delta T / 50)^\text{n}$

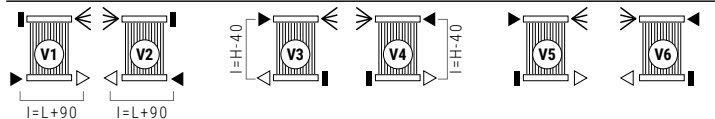
P. Max: 5 bar T. Max: 110° C
Functioning: hot water Connections: n° 2 x 1/2" G - n° 1 da 1/8" G



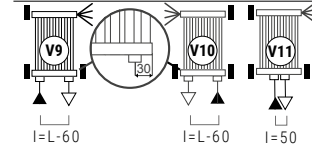
Quotes for Kristal valves



STANDARD CONNECTIONS WITHOUT SURCHARGE



SPECIAL CONNECTIONS



LEGENDA: In Out airvent H Height l pipe centres L width connection welded cap

Always specify the kind of connection needed when ordering.
Bidirectional pipe connection not available

HOW TO ORDER THE RADIATOR ROSY MAX

ARTICLE NR. STRUCTURE	Radiator model	Nr of Elements	Height in cm	Code of the connection	Code of the colour	Constant value
AAAA	BB	CCC	DDD	EEE	AAA	A

EXAMPLE	Radiator model E.g.: Rosy MAX	Nr of Elements E.g.: 12 elements	Height in cm Example: 1800 mm	Code of the connection Example: connection V1	Code of the colour Example: R01 - White	Constant value
	RX50	12	180	V01	R01	A

EXAMPLE OF ARTICLE CODE CREATION
In the case of a radiator:
RX50 ROSY MAX
12 12 elements
180 Height 1800 mm
V01 connection V1
R01 colour R01 - White
A (Constant value)
 The article code will be:
RX50 12 180 V01 R01 A

ACCESSORIES

If ordered separately from the radiator, the accessories are available in standard white only

<p>Kristal valve square with thermostatic option white R01</p> <p>Copper conn. \varnothing 12/14/15 Art. nr. 5991990311161</p> <p>Multilayer conn. \varnothing 16 Art. nr. 5991990311160</p>	<p>Kristal valve square pipe centres 50 mm right white R01</p> <p>Copper conn. \varnothing 12/14/15 Art. nr. 5991990311186</p> <p>Multilayer conn. \varnothing 16 Art. nr. 5991990311185</p>	<p>Thermostatic head white</p> <p>(Kit 2 pieces) Art. nr. 5035270710016</p>
---	---	--

Art. nr. are referred to colour WHITE R01



ROSY MAX

Height H [mm]		390	540	640	840	940	1800	2000
Width L [mm]	N° El.	Watt $\Delta t=50^{\circ}\text{C}$	Watt $\Delta t=50^{\circ}\text{C}$	Watt $\Delta t=50^{\circ}\text{C}$	Watt $\Delta t=50^{\circ}\text{C}$	Watt $\Delta t=50^{\circ}\text{C}$	Watt $\Delta t=50^{\circ}\text{C}$	Watt $\Delta t=50^{\circ}\text{C}$
274	5	313	415	481	608	670	1161	1268
330	6	376	498	577	730	803	1393	1521
386	7	438	581	673	851	937	1625	1775
442	8	501	664	770	973	1071	1858	2028
498	9	563	747	866	1094	1205	2090	2282
554	10	626	830	962	1216	1339	2322	2535
610	11	689	913	1058	1338	1473	2554	2789
666	12	751	996	1154	1459	1607	2786	3042
722	13	814	1079	1251	1581	1741	3019	3296
778	14	876	1162	1347	1702	1875	3251	3549
834	15	939	1245	1443	1824	2009		
890	16	1002	1328	1539	1946	2142		
946	17	1064	1411	1635	2067	2276		
1002	18	1127	1494	1732	2189	2410		
1058	19	1189	1577	1828	2310	2544		
1114	20	1252	1660	1924	2432	2678		
1170	21	1315	1743	2020	2554	2812		
1226	22	1377	1826	2116	2675	2946		
1282	23	1440	1909	2213	2797	3080		
1338	24	1502	1992	2309	2918	3214		
1394	25	1565	2075	2405				
1450	26	1628	2158	2501				
1506	27	1690	2241	2597				
1562	28	1753	2324	2694				
1618	29	1815	2407	2790				
1674	30	1878	2490	2886				
1730	31	1941	2573	2982				
1786	32	2003	2656	3078				



LATERAL COVER CASE AVAILABLE UPON REQUEST

LATERAL CARTER

Height H [mm]	Art. nr.
390	5103000000120
540	5103000000121
640	5103000000122
840	5103000000123
940	5103000000124

HEIGHTS 1800 AND 2000 INCLUDES LATERAL CARTER

ARDESIA®

TOWEL RAILS

ELECTRIC

STAINLESS STEEL

RADIATORS

VENTILATION RADIATORS

MYWAY® ACCESSORIES AND TECHNICAL SUPPORT