

LISA® 22

CHROMED ELECTRIC



ELECTRICAL ONLY:

- With **manual on/off**
- With **digital** thermostat

Material:

- Vertical collectors in mild steel semi oval 30x40 mm.
- Horizontal heating elements in painted mild steel \varnothing 22 mm.
- Heat transfer fluid.

Fixing kit:

The fixing kit is in compliance with norm VDI 6036 that guarantees maximum resistance, security and stability of the towel rail. Each kit includes brackets, hexagonal tool, plugs and screws suitable for use on either compact or hollow brick walls. For a correct assembly always refer to the user manual supplied.



ACCESSORIES

For Accessories range see Accessories chapter



KIT 2 HOOKS
CHROMED

Art. nr. 5991990310303



TOWEL BAR
CHROMED
Width= 370 mm

Art. nr. 5991990310302

Applicable only for width \geq 450 mm

Electrical resistors: Class 1

Minimum ingress protection: IP 44 (ECO digital thermostat)
IP 54 (manual on/off)

Wire lenght: 1200 mm with Schuko plug (ECO digital thermostat)
1100 mm with Schuko plug (manual on/off)

Power supply: 230Vac 50/60Hz

Seasonal energy efficiency η_s : 38% (with ECO digital thermostat)

Packing:

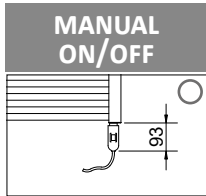
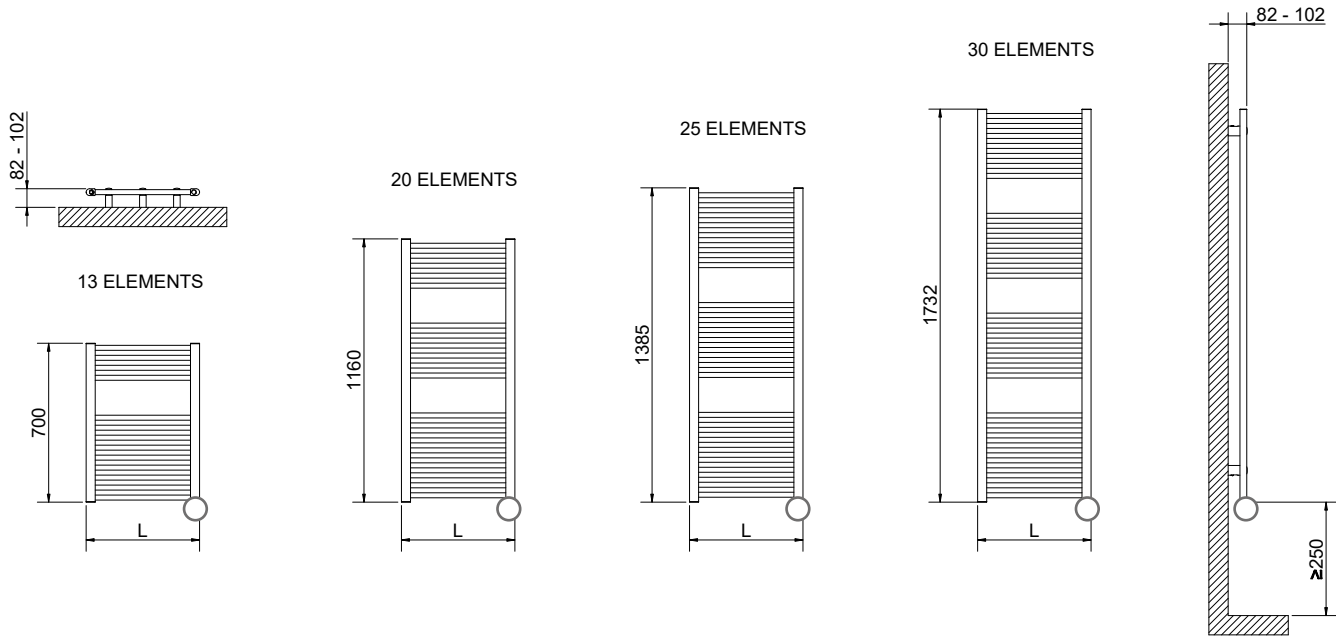
Carton angular and profiles protected by a recyclable film in polyethylene. User notice included.

Finishing:

Chrome (PLATED IN ITALY)

Electrical resistors:

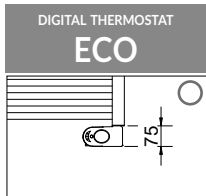
- Chromed digital thermostat - Class 1- IP44.
- 6 Functioning modes: comfort, night, antifreeze, chrono, 2H timer and standby
- Manual on/off manuale on/off (H 700 x L 400) - Class 1- IP54.



The general footprint has to be calculated considering the thermostat height

TOWEL RAILS LISA® 22 CHROMED ELECTRIC - WITH MANUAL ON/OFF

Height [mm]	Width L [mm]	Art. nr.	Output [Watt]	Weight [Kg]
700	400	3581646110115	150	7,4



The general footprint has to be calculated considering the thermostat height

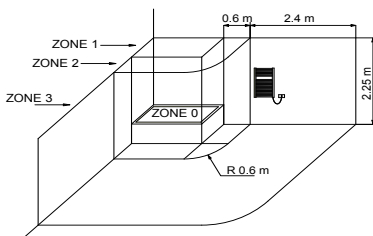
LISA® 22 CHROMED ELECTRIC - WITH ECO DIGITAL THERMOSTAT

Height [mm]	Width L [mm]	Art. nr.	Output [Watt]	Weight [Kg]
1160	400	3581646110116	300	11,2
	450	3581646110117	300	11,9
	500	3581646110118	400	12,7
1385	400	3581646110119	400	13,4
	500	3581646110120	500	15,3
	550	3581646110121	600	18,4
1732	500	3581646110122	600	18



All Cordivari electric radiators are in line with the new European regulation UE 2015/1188. The new regulation imposes a seasonal energy efficiency of electrical appliances for ambient heating with a nominal thermal output over 250 W and not less than 38%. Each of the ErP electric radiator is equipped with at least electronic temperature control, window opening detection and weekly programmer.

HOW TO PLACE ELECTRIC RADIATORS



The national rules on installing electrical equipment in the bathroom must be scrupulously respected. The electric radiators must be always installed outside zone 1 and 2.

In particular the electric switch and control elements must be mandatorily located in zone 3, in order that no electrical control center is accessible to a anyone using the shower or bath.