



P. Max: 8 bar

T. Max: 110° C

Available for central heating system

Connections: 2 x 1/2" gas-1 x 1/8" gas airvent

Material:

- Horizontal collectors in polished stainless steel \varnothing 38 mm.
- Vertical elements in polished stainless steel \varnothing 18 mm.

Fixing kit:

Brackets, airvent, hexagonal tool, plugs and screws for mounting suitable for use on compact or hollow brick walls, user notice.

Packing:

Carton angular and profiles protected by a recyclable film in polyethylene. User notice included.

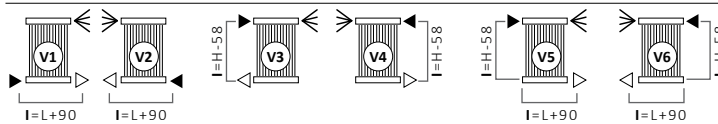
Features:

It is totally made in stainless steel with an unalterable finishing guaranteed during the years

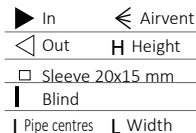
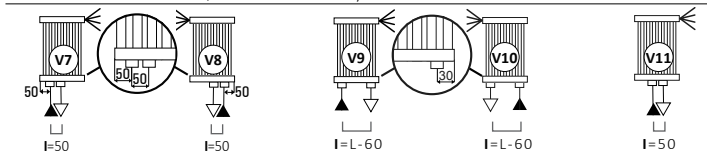
Accessories:

See page 224

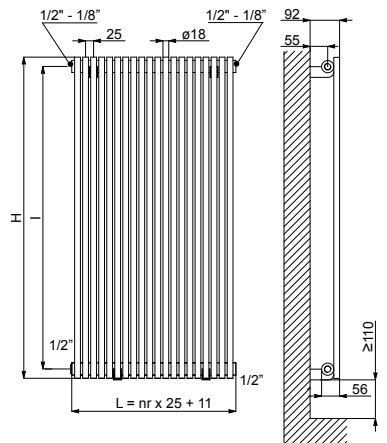
STANDARD CONNECTIONS WITHOUT SURCHARGE



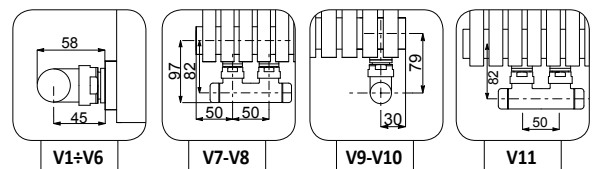
SPECIAL CONNECTIONS (WITH SURCHARGE)



Always specify the kind of connection needed when ordering. Except bidirectional pipe connection.



Quotes for Cordivari Kristal valves



GIADA VERTICAL POLISHED STAINLESS STEEL

Height H [mm]	600	800	1000	1200	1400	1600	1800	1900	2000	2200	2300
Therm. output per el. $\Delta t = 50^\circ\text{C}$ [Watt]	16	21,3	26,6	31,6	36,6	41,3	45,9	48,4	50,3	54,2	56,6
Dry Weight per element [kg]	0,377	0,477	0,576	0,676	0,775	0,875	0,974	1,024	1,074	1,173	1,223
Element Water content [lt]	0,186	0,225	0,263	0,301	0,339	0,377	0,416	0,435	0,454	0,492	0,511
Element surface [m ²]	0,04	0,051	0,063	0,074	0,085	0,096	0,108	0,113	0,119	0,13	0,136
Exp. n	1,329	1,324	1,318	1,312	1,307	1,301	1,295	1,291	1,289	1,284	1,280
Pipe Centres l [mm] (V3-V4-V5-V6 only)	542	742	942	1142	1342	1542	1742	1842	1942	2142	2242

Width L [mm]	N° El. (*)	Thermal output in Watt $\Delta t=50^\circ\text{C}$ 75/65/20°C ($\Delta t=50^\circ\text{C}$)										
		80	107	133	158	183	207	230	242	252	271	283
136	5 w	80	107	133	158	183	207	230	242	252	271	283
161	6 w	96	128	160	190	220	248	275	290	302	325	340
186	7 w	112	149	186	221	256	289	321	339	352	379	396
211	8 w	128	170	213	253	293	330	367	387	402	434	453
236	9 w	144	192	239	284	329	372	413	436	453	488	509
261	10 w	160	213	266	316	366	413	459	484	503	542	566
286	11 w	176	234	293	348	403	454	505	532	553	596	623
311	12 w	192	256	319	379	439	496	551	581	604	650	679
336	13 w	208	277	346	411	476	537	597	629	654	705	736
361	14 w	224	298	372	442	512	578	643	678	704	759	792
386	15 w	240	320	399	474	549	620	689	726	755	813	849
411	16 w	256	341	426	506	586	661	734	774	805	867	906
436	17 w	272	362	452	537	622	702	780	823	855	921	962
461	18 w	288	383	479	569	659	743	826	871	905	976	1019
486	19 w	304	405	505	600	695	785	872	920	956	1030	1075
511	20 w	320	426	532	632	732	826	918	968	1006	1084	1132
536	21 w	336	447	559	664	769	867	964	1016	1056	1138	1189
561	22 w	352	469	585	695	805	909	1010	1065	1107	1192	1245
586	23 w	368	490	612	727	842	950	1056	1113	1157	1247	1302
611	24 w	384	511	638	758	878	991	1102	1162	1207	1301	1358
636	25 w	400	533	665	790	915	1033	1148	1210	1258	1355	1415
661	26 w	416	554	692	822	952	1074	1193	1258	1308	1409	1472
686	27 w	432	575	718	853	988	1115	1239	1307	1358	1463	1528
711	28 w	448	596	745	885	1025	1156	1285	1355	1408	1518	1585
736	29 w	464	618	771	916	1061	1198	1331	1404	1459	1572	1641
761	30 w	480	639	798	948	1098	1239	1377	1452	1509	1626	1698
786	31 w	496	660	825	980	1135	1280	1423	1500	1559	1680	1755
811	32 w	512	682	851	1011	1171	1322	1469	1549	1610	1734	1811
836	33 w	528	703	878	1043	1208	1363	1515	1597	1660	1789	1868
861	34 w	544	724	904	1074	1244	1404	1561	1646	1710	1843	1924
886	35 w	560	746	931	1106	1281	1446	1607	1694	1761	1897	1981

Other heights available on request from 400 mm to 2300 mm

(*) For output at different Δt than 50°C , see page 248

ACCESSORIES

For accessories range see page 224

	KRISTAL VALVE SQUARE WITH THERMOSTATIC OPTION - CHROMED
Copper connection \varnothing 12-14-15 Code nr. 5991990311165	Multilayer connection \varnothing 16 Code nr. 5991990311166

	KIT 2 HOOKS - POLISHED STAINLESS STEEL
Code nr.	5991990010216

	CHROMED THERMOSTATIC HEAD (Kit 2 pieces)
Code nr.	5035270710015



P. Max: 8 bar

T. Max: 110° C

Available for central heating system

Connections: N° 2 x 1/2" gas- n° 1 x 1/2" gas for airvent

Material:

- Vertical collectors in polished stainless steel \varnothing 38 mm.
- Horizontal elements in polished stainless steel \varnothing 18 mm.

Fixing kit:

Brackets, airvent, hexagonal tool, plugs and screws for mounting suitable for use on compact or hollow brick walls, user notice.

Packing:

Carton angular and profiles protected by a recyclable film in polyethylene. User notice included.

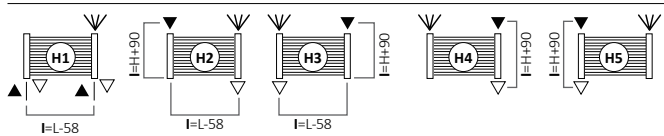
Features:

It is totally made in stainless steel with an unalterable finishing guaranteed during the years

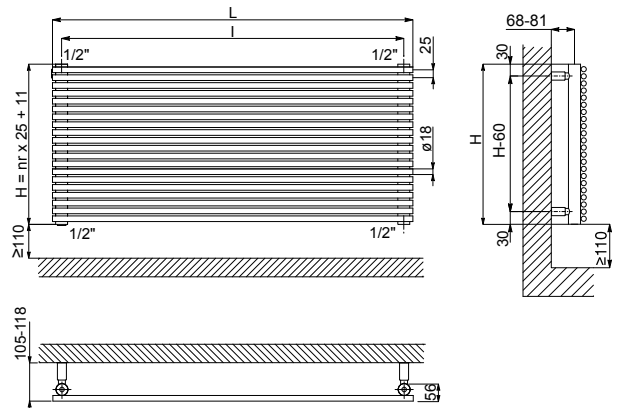
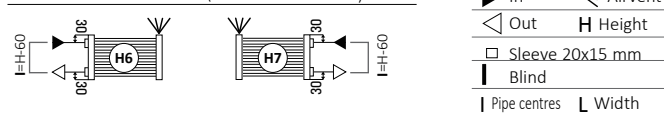
Accessories:

See page 224

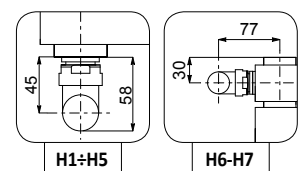
STANDARD CONNECTIONS WITHOUT SURCHARGE



SPECIAL CONNECTIONS (WITH SURCHARGE)



Quotes for Cordivari Kristal valves



Always specify the kind of connection needed when ordering.
Except bidirectional pipe connection.

HORIZONTAL POLISHED STAINLESS STEEL

Width L [mm]	500	600	800	1000	1200	1400	1500	1600	1700	1800	1900	2000
Dry Weight per element [kg]	0,327	0,377	0,477	0,576	0,676	0,775	0,825	0,875	0,924	0,974	1,024	1,074
Element Water content [lt]	0,167	0,186	0,225	0,263	0,301	0,339	0,358	0,377	0,397	0,416	0,435	0,454
Element surface [m ²]	0,034	0,04	0,051	0,063	0,074	0,085	0,091	0,096	0,102	0,108	0,113	0,119
Pipe Centres l [mm] (H1-H2-H3 only)	442	542	742	942	1142	1342	1442	1542	1642	1742	1842	1942

Height H [mm]	N° El. (*)	Thermal output in Watt $\Delta t=50^{\circ}\text{C}$ 75/65/20°C ($\Delta t=50^{\circ}\text{C}$)												Exp. n	
		w	w	w	w	w	w	w	w	w	w	w	w		
311	12	w	167	200	267	334	400	467	500	534	567	600	634	667	1,2405
336	13	w	181	217	290	362	435	507	543	580	616	652	688	725	1,2397
361	14	w	196	235	313	391	469	547	587	626	665	704	743	782	1,2389
386	15	w	210	252	336	420	504	588	630	672	713	755	797	839	1,2381
411	16	w	224	269	359	448	538	628	672	717	762	807	852	897	1,2373
436	17	w	238	286	382	477	572	668	715	763	811	858	906	954	1,2366
461	18	w	253	303	404	505	606	707	758	808	859	910	960	1011	1,2358
486	19	w	267	320	427	534	640	747	800	854	907	960	1014	1067	1,2350
511	20	w	281	337	449	562	674	787	843	899	955	1011	1067	1124	1,2342
536	21	w	295	354	472	590	708	826	885	944	1003	1062	1121	1180	1,2334
561	22	w	309	371	494	618	741	865	927	988	1050	1112	1174	1235	1,2326
586	23	w	323	387	516	645	774	904	968	1033	1097	1162	1226	1291	1,2318
611	24	w	337	404	538	673	808	942	1010	1077	1144	1211	1279	1346	1,2311
636	25	w	350	420	560	700	840	981	1051	1121	1191	1261	1331	1401	1,2303
661	26	w	364	437	582	728	873	1019	1091	1164	1237	1310	1382	1455	1,2295
686	27	w	377	453	604	755	906	1056	1132	1207	1283	1358	1434	1509	1,2287
711	28	w	391	469	625	782	938	1094	1172	1250	1329	1407	1485	1563	1,2279
736	29	w	404	485	646	808	970	1131	1212	1293	1374	1455	1535	1616	1,2271
761	30	w	417	501	668	835	1001	1168	1252	1335	1419	1502	1586	1669	1,2263
786	31	w	430	516	689	861	1033	1205	1291	1377	1463	1549	1635	1721	1,2255
811	32	w	443	532	709	887	1064	1242	1330	1419	1508	1596	1685	1774	1,2247
836	33	w	456	548	730	913	1095	1278	1369	1460	1551	1643	1734	1825	1,2239
861	34	w	469	563	750	938	1126	1313	1407	1501	1595	1689	1782	1876	1,2232
886	35	w	482	578	771	964	1156	1349	1445	1542	1638	1734	1831	1927	1,2224

Other heights available on request from 400 mm to 2000 mm

(*) For output at different Δt than 50°C , see page 248

ACCESSORIES

For accessories range see page 224



KRISTAL VALVE SQUARE
WITH THERMOSTATIC
OPTION
- CHROMED

Copper connection \varnothing 12-14-15
Code nr. **5991990311165**

Multilayer connection \varnothing 16
Code nr. **5991990311166**



KRISTAL VALVE CORNER
RIGHT
WITH THERMOSTATIC
OPTION
- CHROMED

Copper connection \varnothing 12-14-15
Code nr. **5991990301146**

Multilayer connection \varnothing 16
Code nr. **5991990301145**



CHROMED THERMOSTATIC
HEAD
(Kit 2 pieces)

Code nr. **5035270710015**